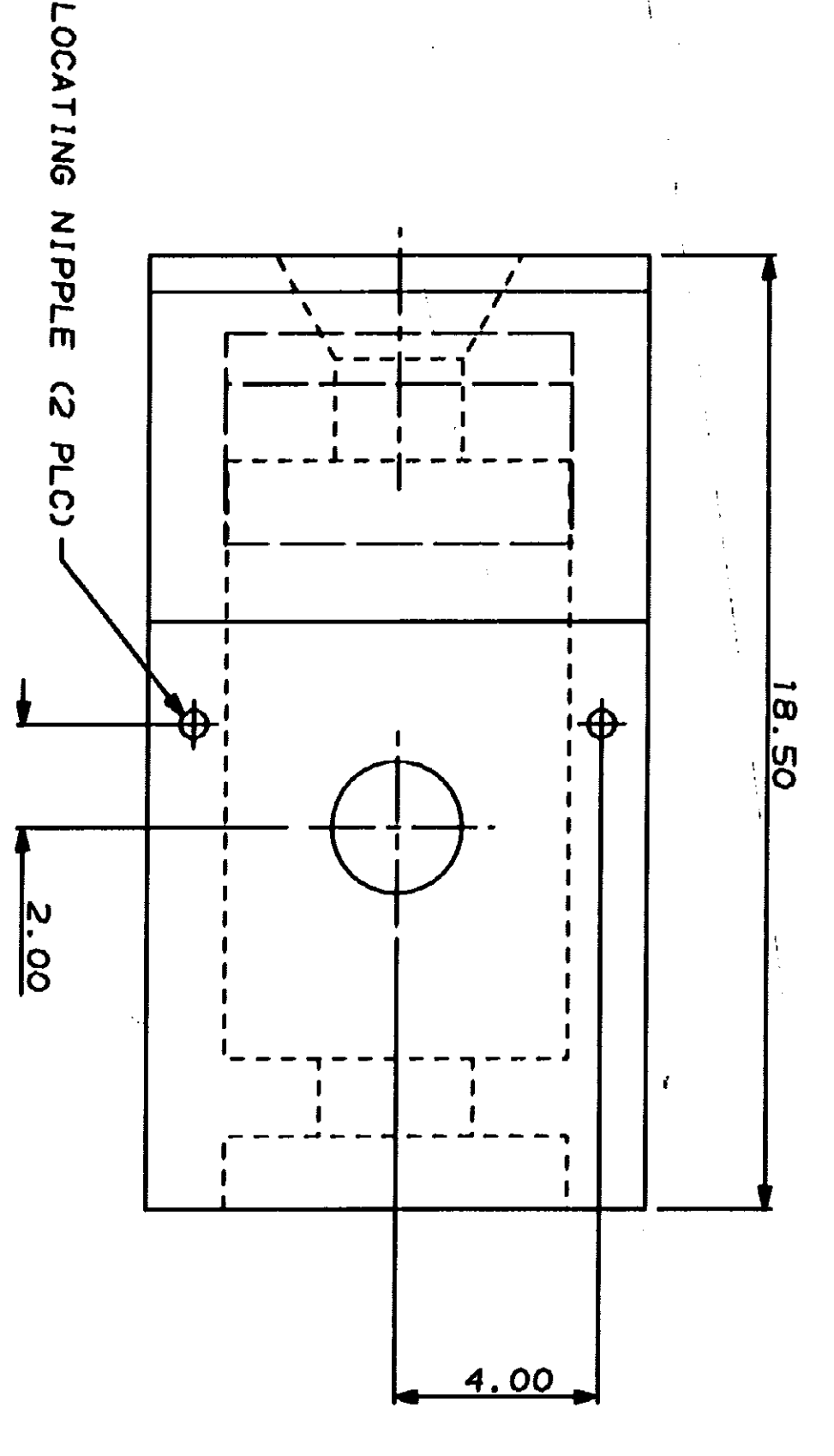
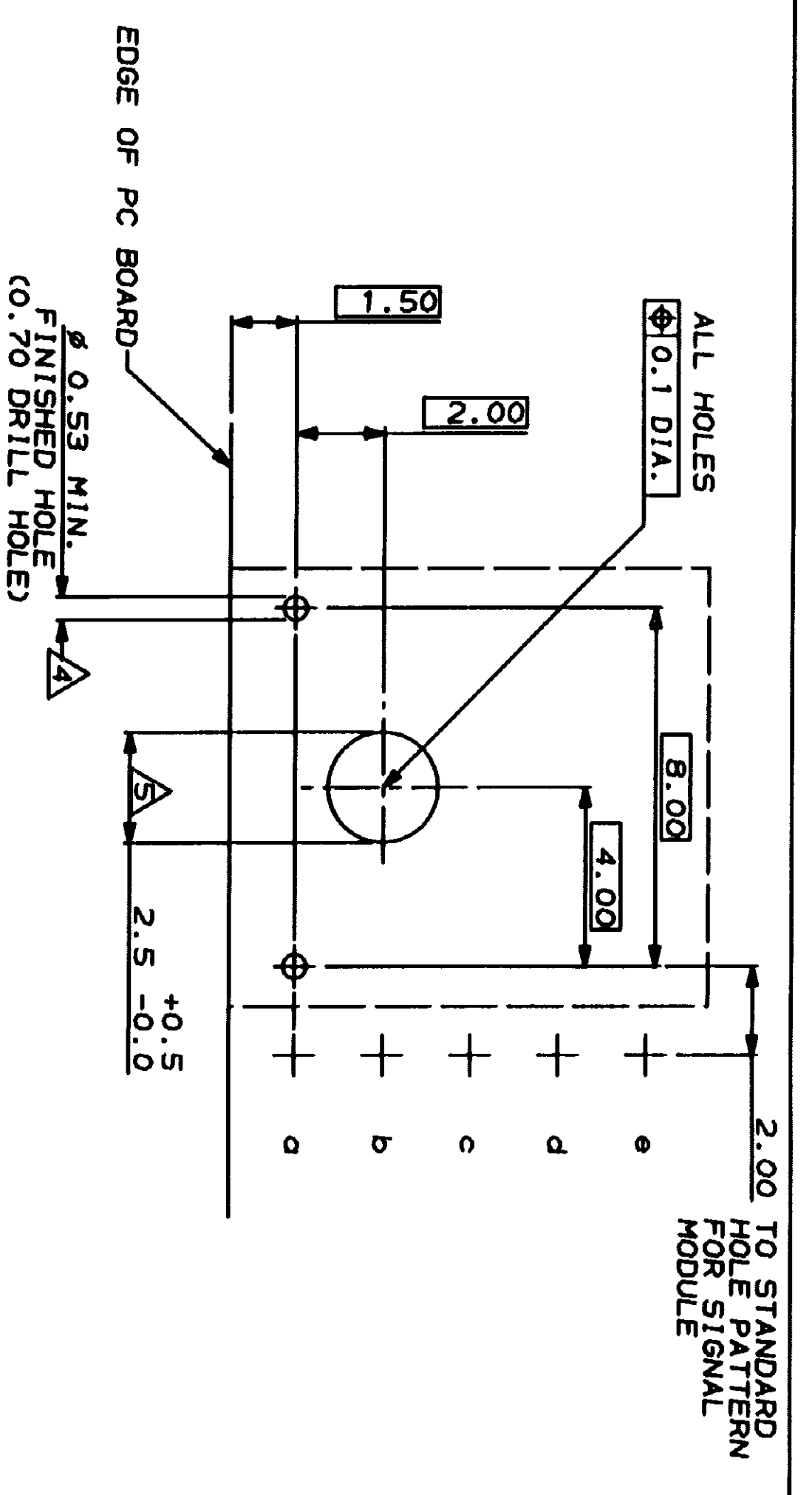


DETAIL Z
SCALE 20:1



DO NOT SCALE PRINT.
DIMENSIONS IN INCHES
DIMENSIONS IN MM
TOLERANCES ON:
2 PLC DEC ± 0.1
AMERS ± .1
MATERIAL

OR 12/02/92
D.R. BENDER
CHK 03/04/93
L.A. BARBUS
APPD 03/04/93
L.A. BARBUS
APPD 03/04/93
L.A. BARBUS
PRODUCT SPEC

NAME: POWER/GUIDE RECEPTACLE HOUSING
MOLDED, 2mmHM

FINISH: -

APPLICATION SPEC: -

SIZE: CASE CODE 00779, SEALING NO. G-646273
SCALE: 8:1

PART NO:
AMP Incorporated
Harrisburg, PA 17105-3608

- 1 MATERIAL: GRAY GLASS FILLED POLYESTER.
- 2 AMP TRADEMARK RECESSED.
- 3 THIS PART HAS A THRU HOLE TO ACCEPT GUIDE PIN RECEPTACLE, AMP PART NO. 533065-1.
- 4 LOCATING HOLES NEED NOT BE PLATED THRU HOLES, BUT LOCATING THRU HOLE IS DESIGNED TO FIT MIN. PLATED THRU HOLE DIA. 0.55mm FINISHED.
- 5 PLATED THRU HOLE FOR POWER APPLICATION ONLY.

THIS DRAWING IS A CONTROLLED DOCUMENT FOR THE COMPANY AND THE CONTROLLING ORGANIZATION. IT SHALL BE CONTROLLED FOR THE LATEST REVISION.